

Vertical powder suction system, allowing to feed the storage hoppers installed on polymers preparation units, which are often inaccessible.

The Polymatic AVP has been designed to work with all polymer powders available on the market.

Its unique design guarantees autonomous operation. Thanks to this suction system, operators no longer need to lift heavy bags into high and inaccessible hoppers.

The automatic loading feed rate is 70 kg/hour. This system can be adapted to all our units as well as to other...

Advantages

- Sturdiness
- Easy to use
- Reduced maintenance
- Automatic filter unclogging
- Autonomous operation
- Transparent tank
- Lightweight equipment (13.3 Kg)

Specificities:

- Polyamide tank
- Turnkey equipment
- Fast loading
- Quiet
- Integrated turbine of 1200 W
- Powered from the electrical box of the unit

Options :

- Length of the loading pipe adjusted to the layout.
- Default alarm lamp.
- Increase of the storage capacity.
- Others options upon request...

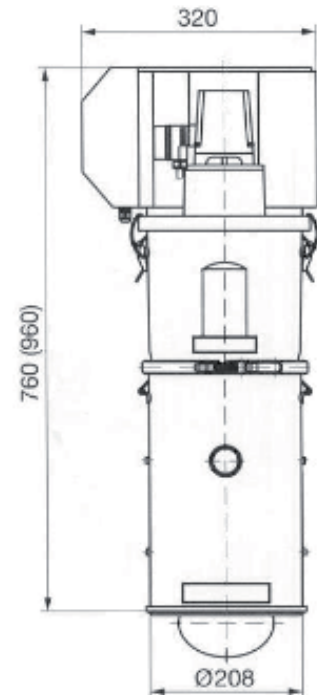
POLYMATIQUE AVP TYPE



Waste water
Eau usée



Drinking water
Eau potable



Layout example of a vertical vacuum

