

Injection unit - Type ID



Waste water



Drinking water



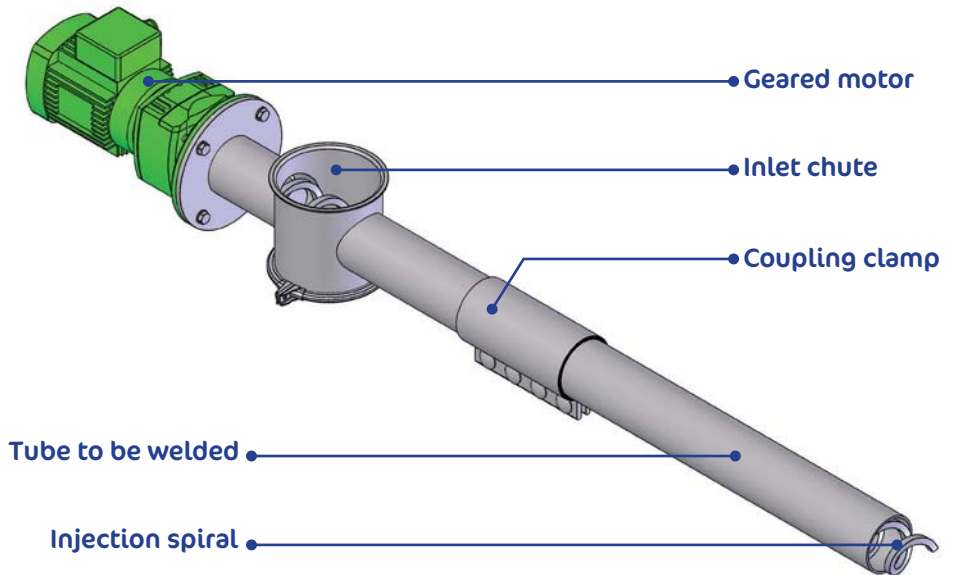
Air & smoke

Powders injection unit

The purpose of the injector ID is to ensure powder injection into a sludge mixer or a preparation tank.

It can be operated with moisture presence thanks to its design and mechanical robustness.

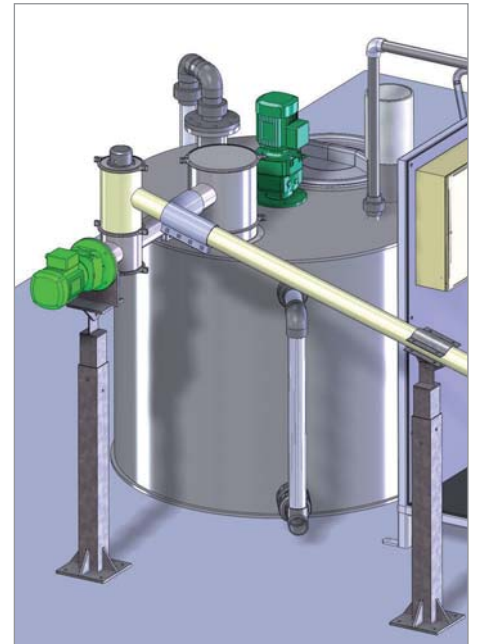
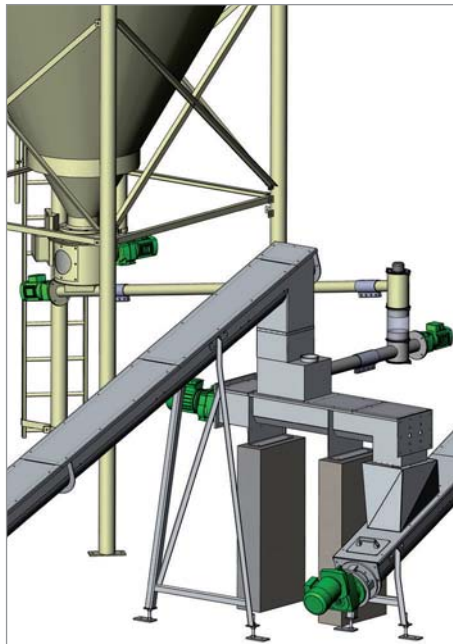
Its horizontal position suppresses product gravity fall-down inside a conduit that will get blocked up, soon or later, during operation.



Examples of setting-up :

Avantages :

- Replaces pinch valve
- Reduces the gravimetric fall height of the product
- Protects the metering conveyor during duty and stand-by phases
- Allows easy throughput scaling
- Allows easier assembly on site
- Quick disassembling
- No preventive cleaning





Operation :

The equipment consists of an inlet chute, which receives the metered product, and a spiral which transfers it to the injection point.

The motor power and the spiral section are oversized in order to suit the difficult operating conditions generated by moisture.

The injector, which is never fully filled of product, is little sensitive to moisture or steam. In operation, they are caught by product buckling created by the spiral. The spiral cleans by itself eventual crust. At the restart the spiral will crush and eject any material residue solidification.



Specificities :

- Metalwork material (stainless steel 304/316)
- Can be installed on new or existing equipment

Options :

- Rotation sensor
- Injection box

Injector type	Injector outer Ø	Max throughput*
ID 80	90 mm	600 L/h
ID 100	108 mm	1300 L/h
ID 120	140 mm	4000 L/h
ID 150	168 mm	7000 L/h

* the throughput can vary according to the product and the site design